



# 2017

## NEW PRODUCTS

# Vibro-reduced Air Hammer



JI-2900



JI-3500



JI-2900QC



JI-3500QC

| Model            |          | JI-2900   | JI-3500   | JI-2900QC | JI-3500QC  |
|------------------|----------|-----------|-----------|-----------|------------|
| Blows Per Minute | BPM      | 3000      | 2100      | 3000      | 2200       |
| Piston Diameter  | mm       | Ø19*48    | Ø19*68    | Ø19*48    | Ø19*68     |
| Piston Stroke    | mm(inch) | 63(2.5")  | 87(3.4")  | 64(2.5")  | 89(3.5")   |
| Air Inlet        | PT(NPT)  | 1/4"      | 1/4"      | 1/4"      | 1/4"       |
| Hose Inlet       | inch     | 3/8"      | 3/8"      | 3/8"      | 3/8"       |
| Air Consumption  | CFM(LPM) | 7.8(221)  | 8.6(243)  | 7.8(221)  | 8.6(243)   |
| Overall Length   | mm(inch) | 180(7.1") | 224(8.8") | 227(8.9") | 271(10.7") |
| Net Weight       | kg(lb)   | 1.7(3.7)  | 2(4.4)    | 2(4.4)    | 2.3(5.1)   |



JI-3500K /  
JI-2900K

1. Air hammer\*1 pcs
2. Air nipple(1/4")\*1 pcs
3. Retainer spring\*1 pcs
4. Quick change retainer\*1 pcs
5. Chisel(7")\*5 pcs



JI-3500CK /  
JI-2900CK

1. Air hammer\*1 pcs
2. Air nipple(1/4")\*1 pcs
3. Chisel(7")\*5 pcs



JI-3500K8 /  
JI-2900K8

1. Air hammer\*1 pcs
2. Air nipple(1/4")\*1 pcs
3. Retainer spring\*1 pcs
4. Quick change retainer\*1 pcs
5. Impact chisel\*5 pcs



JI-3500CK8 /  
JI-2900CK8

1. Air hammer\*1 pcs
2. Air nipple(1/4")\*1 pcs
3. Impact chisel\*5 pcs

# Vibro-reduced Air Hammer



## JI-3500KV / JI-2900KV

1. Air hammer\*1 pcs
2. Air nipple(1/4")\*1 pcs
3. Retainer spring\*1 pcs
4. Quick change retainer\*1 pcs
5. Chisel(7")\*5 pcs



## JI-3500CKV / JI-2900CKV

1. Air hammer\*1 pcs
2. Air nipple(1/4")\*1 pcs
3. Chisel(7")\*5 pcs



## JI-3500KV8 / JI-2900KV8

1. Air hammer\*1 pcs
2. Air nipple(1/4")\*1 pcs
3. Retainer spring\*1 pcs
4. Quick change retainer\*1 pcs
5. Impact chisel\*5 pcs



## JI-3500CKV8 / JI-2900CKV8

1. Air hammer\*1 pcs
2. Air nipple(1/4")\*1 pcs
3. Impact chisel\*5 pcs



## JI-3500NKV / JI-2900NKV

1. Air hammer\*1 pcs
2. Air nipple(1/4")\*1 pcs
3. Quick change retainer\*1 pcs
4. Needle scaler attachment\*1 pcs
5. Chisel(7")\*3 pcs



## JI-2900NKVS

1. Air hammer\*1 pcs
2. Air nipple(1/4")\*1 pcs
3. Retainer spring\*1 pcs
4. Quick change retainer\*1 pcs
5. Needle scaler attachment\*1 pcs
6. Chisel(5")\*4 pcs

## Optional accessories



JI-202A



JI-202B



JI-202G



JI-207



JI-203B



JI-203A

Facial and operation of pneumatic tools, must wear eye protection.  
Recommended air pressure must equal or below 90PSI(6.2Bar).

# Air Pittsburgh Lock Seam Hammer



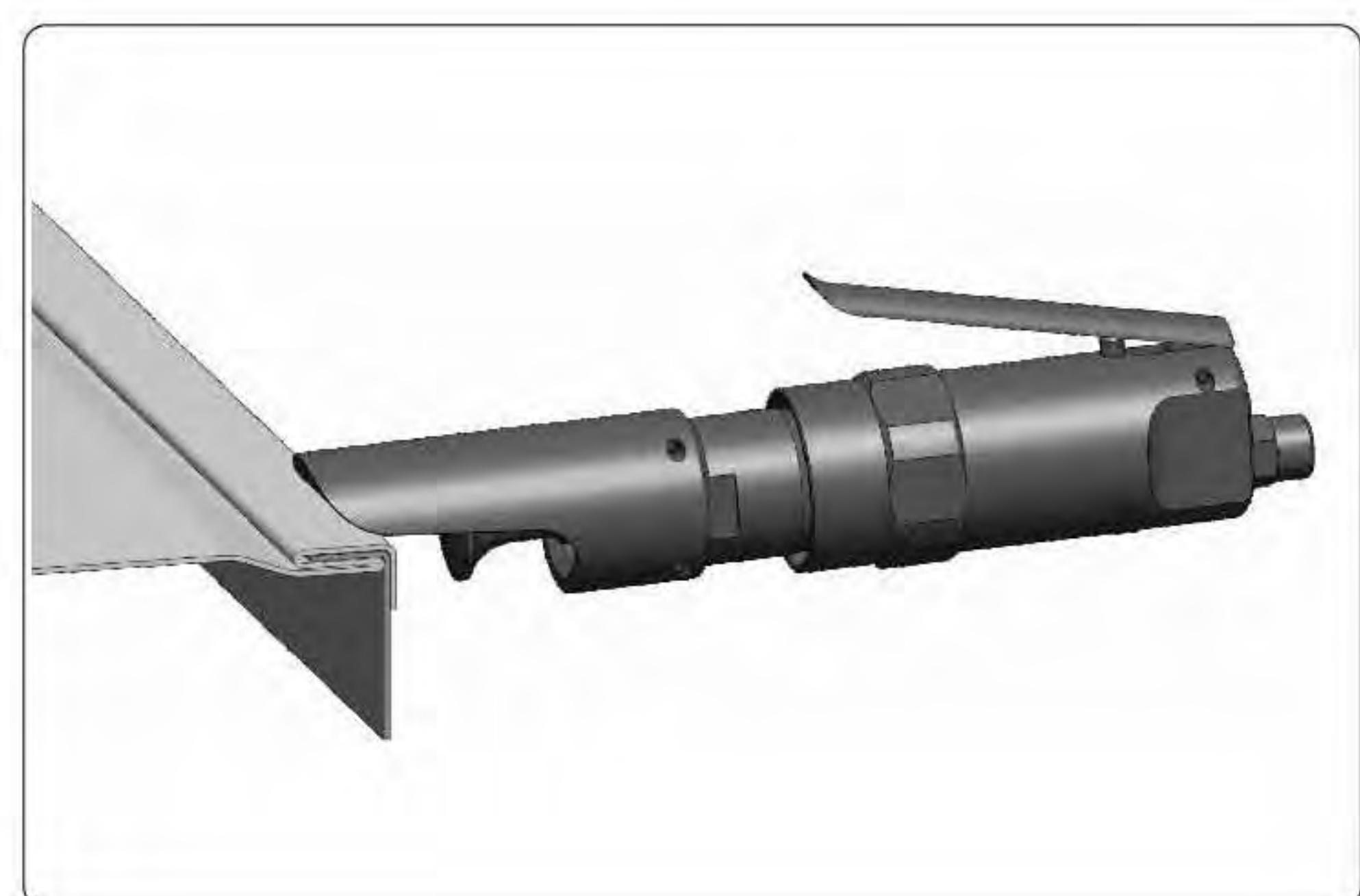
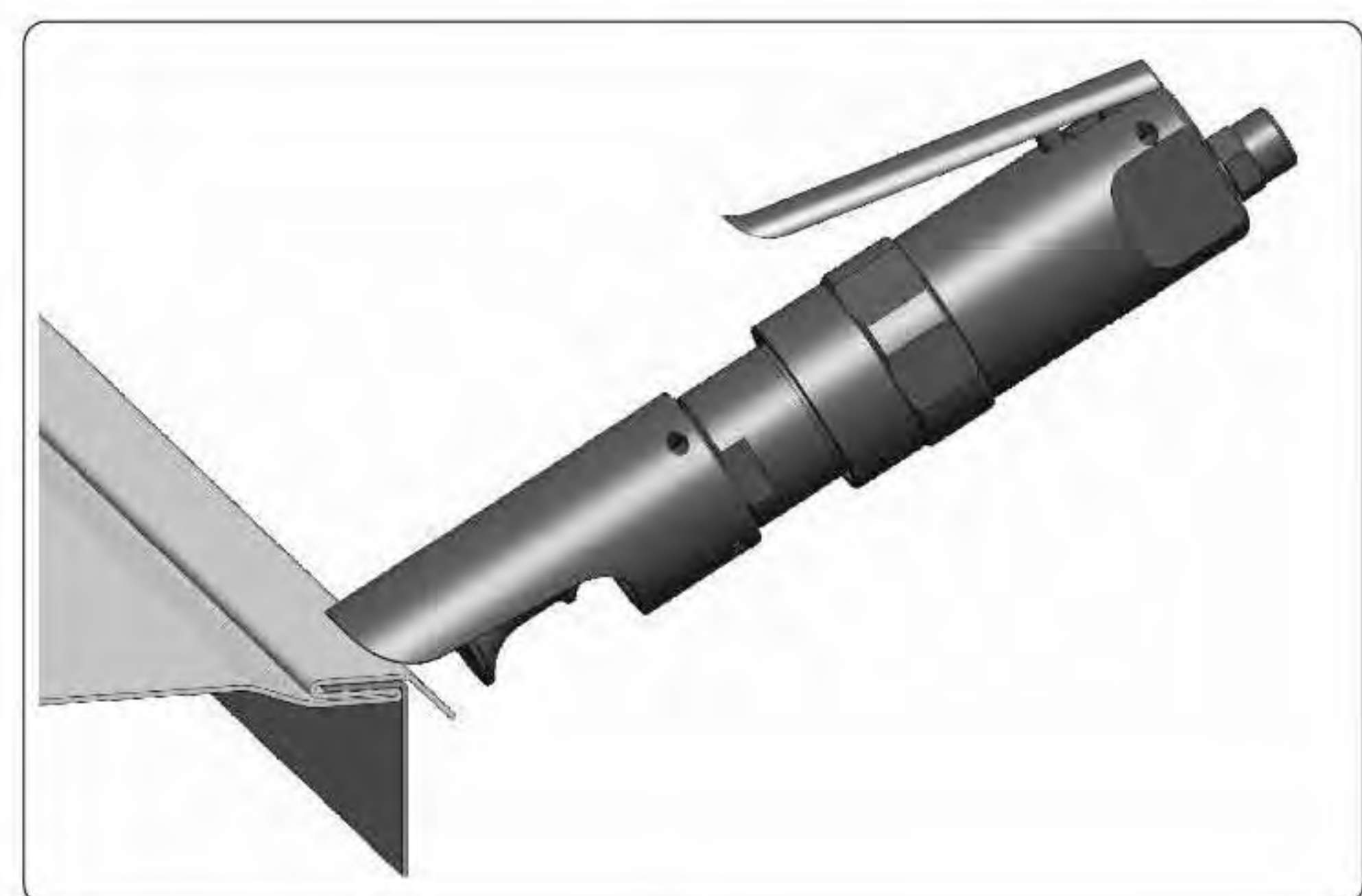
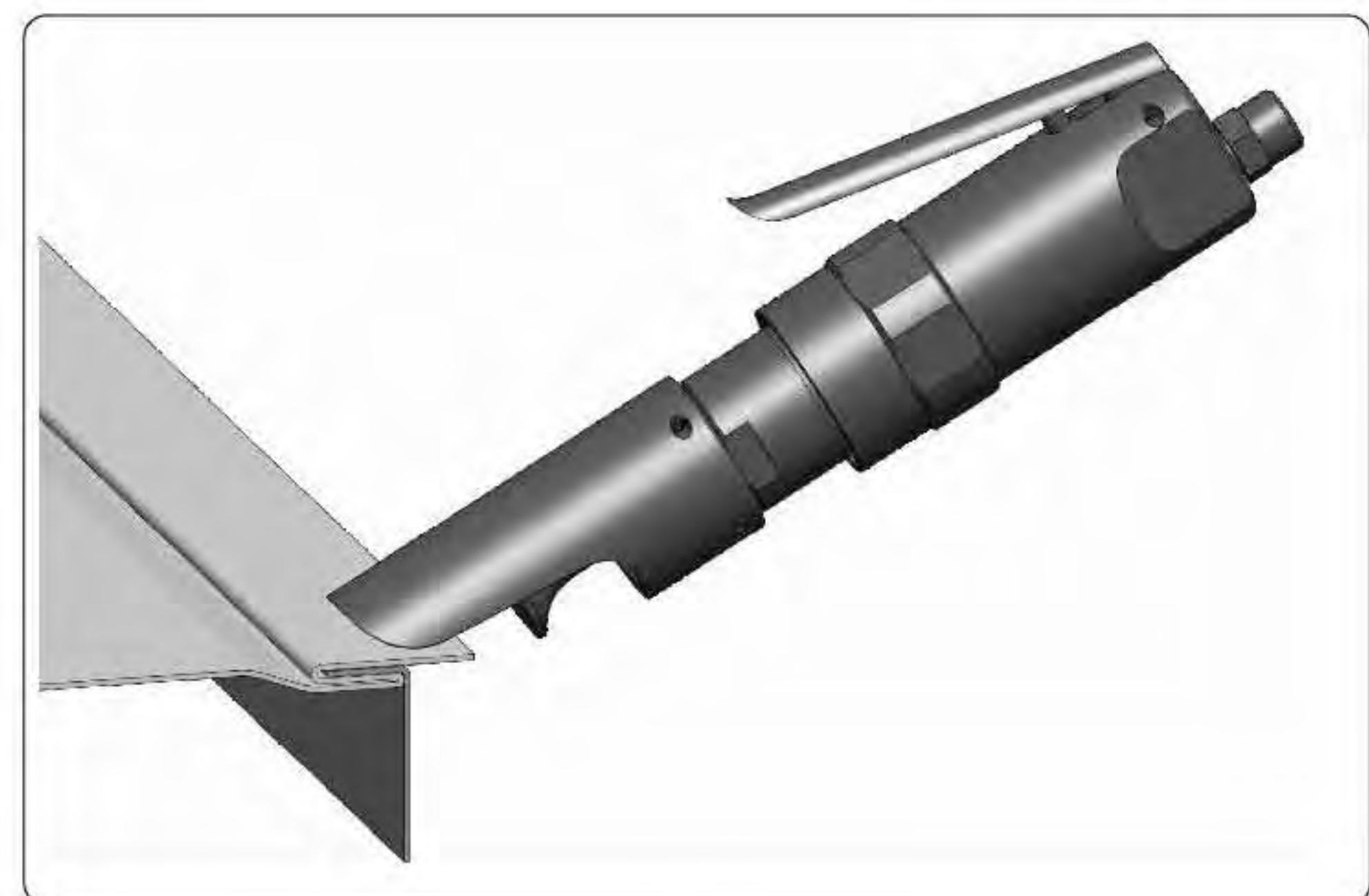
JI-267PH



JI-268PH

| Model            |          | JI-267PH   | JI-268PH   |
|------------------|----------|------------|------------|
| Blows Per Minute | BPM      | 4200       | 4600       |
| Piston Diameter  | mm       | Ø19*31.5   | Ø25.4*44   |
| Piston Stroke    | mm(inch) | 53.5(2.1") | 38.5(1.5") |
| Air Inlet        | PT(NPT)  | 1/4"       | 1/4"       |
| Hose Inlet       | inch     | 3/8"       | 3/8"       |
| Air Consumption  | CFM(LPM) | 4.8(136)   | 6(170)     |
| Overall Length   | mm(inch) | 272(10.7") | 301(11.9") |
| Net Weight       | kg(lb)   | 2.3(5.1)   | 2.4(5.3)   |

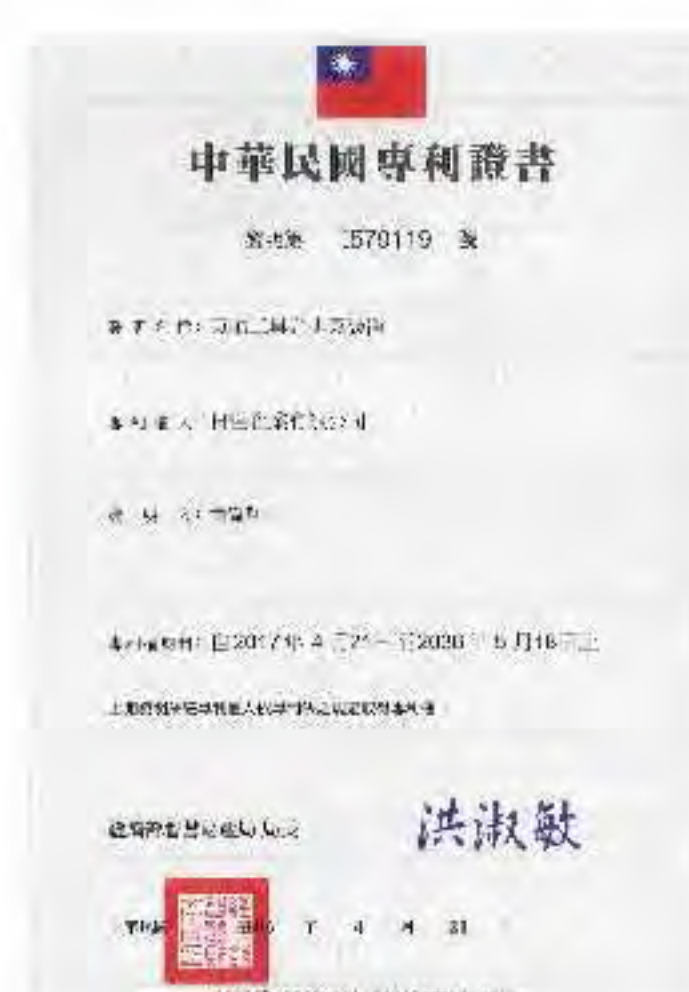
- ◆ **Designed to close the pittsburgh lock seam.**
- ◆ **Efficient tool for sheet metal work.**
- ◆ **Used to fold over or seam metal to 16 gauge.**
- ◆ **Reduce the working time up to 80%.**
- ◆ **Heat treated parts for longer life.**
- ◆ **Lighter and neater, more uniform than seamed by hand.**
- ◆ **One hand operation.**



**High efficiency. Robust design.  
Dependable and Simplified.**

# Vibro-reduced Air Hammer

- ◆ **Unique switchable exhaust system.**
- ◆ **Lightweight aluminium handle.**
- ◆ **Non-slip rubber grip for comfort.**
- ◆ **Patented valve reduces the vibration more than 20%.**



Patented vibration damped valve effectively reduced work injury.

Patented switchable front cap allows user to change exhaust direction.

Patented rubber sleeve keeps user from getting hurt when changing chisels.

Ergonomic pistol grip handle provides operator comfort.

Patented integrated retainer chuck allows user to change chisels quickly and extends tool's life.

Rubber grip absorbs shock and makes the tool comfortable to use.



Switchable front cap

**High efficiency. Robust design.  
Dependable and Simplified.**

Facial and operation of pneumatic tools, must wear eye protection.  
Recommended air pressure must equal or below 90PSI(6.2Bar).



## JIH I Pneumatic Industrial Co., Ltd.

No.72, Huanhe St., Xizhi Dist., New Taipei City 221, Taiwan

Tel:886-2-2694-1811

Fax:886-2-2694-1812

Mail:sales@jihi.com.tw

Web:www.jihi.com.tw

